

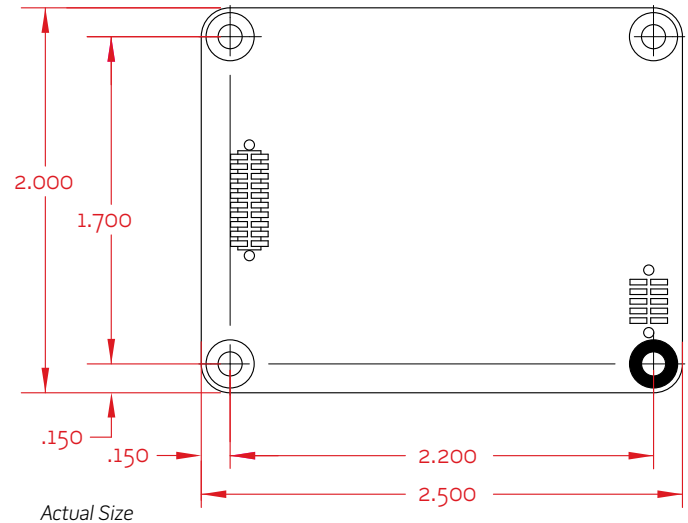
# MX-5™

## Masimo rainbow SET® OEM Board

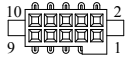

### BOARD DIMENSIONS

Board Dimensions	Typical
Width	2.0 inch
Length	2.5 inch
Thickness	0.062 inch
Top Height	0.2 inch
Bottom Height	0.1 inch
Mounting Hole Ø	0.125 inch

### BOARD OUTLINE – TOP VIEW



### CONNECTOR DATA

Connector Description	Power and Communications Connector	Sensor Connector
Number of Pins	10	20
Configuration	2 rows of 5	2 rows of 10
Angle	Vertical	Vertical
Pin Grid	0.050 inch	0.050 inch
Manufacturer Part #	Samtec SFM-105-02-S-D-A 	Samtec SFML-110-T2-S-D-A 

### DC POWER REQUIREMENTS

	Typical	Maximum
Input Voltage	+5V	±0.25V
Line/Load Regulation		1.0% rms
Avg. Power (rainbow SET®)	350 mW	500W
Avg. Power (Masimo SET®)	< 150 mW	–

### SERIAL INTERFACE

	Default	Maximum
Baud Rate (configurable)	9600 bps	115200 bps

Caution: Federal (USA) law restricts this device to sale by or on the order of a physician. See instructions for use for full prescribing information, including indications, contraindications, warnings, and precautions.

**Masimo U.S.**  
Tel: 1 877 4 Masimo  
info-america@masimo.com

**Masimo International**  
Tel: +41 32 720 1111  
info-international@masimo.com

